



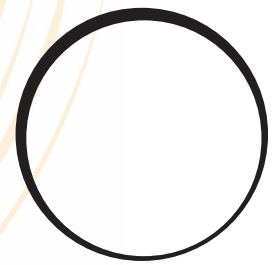
GRASSROOTS
SOLAR

HARVEST THE SUN

BILL LABERGE



PV Installation
Professional



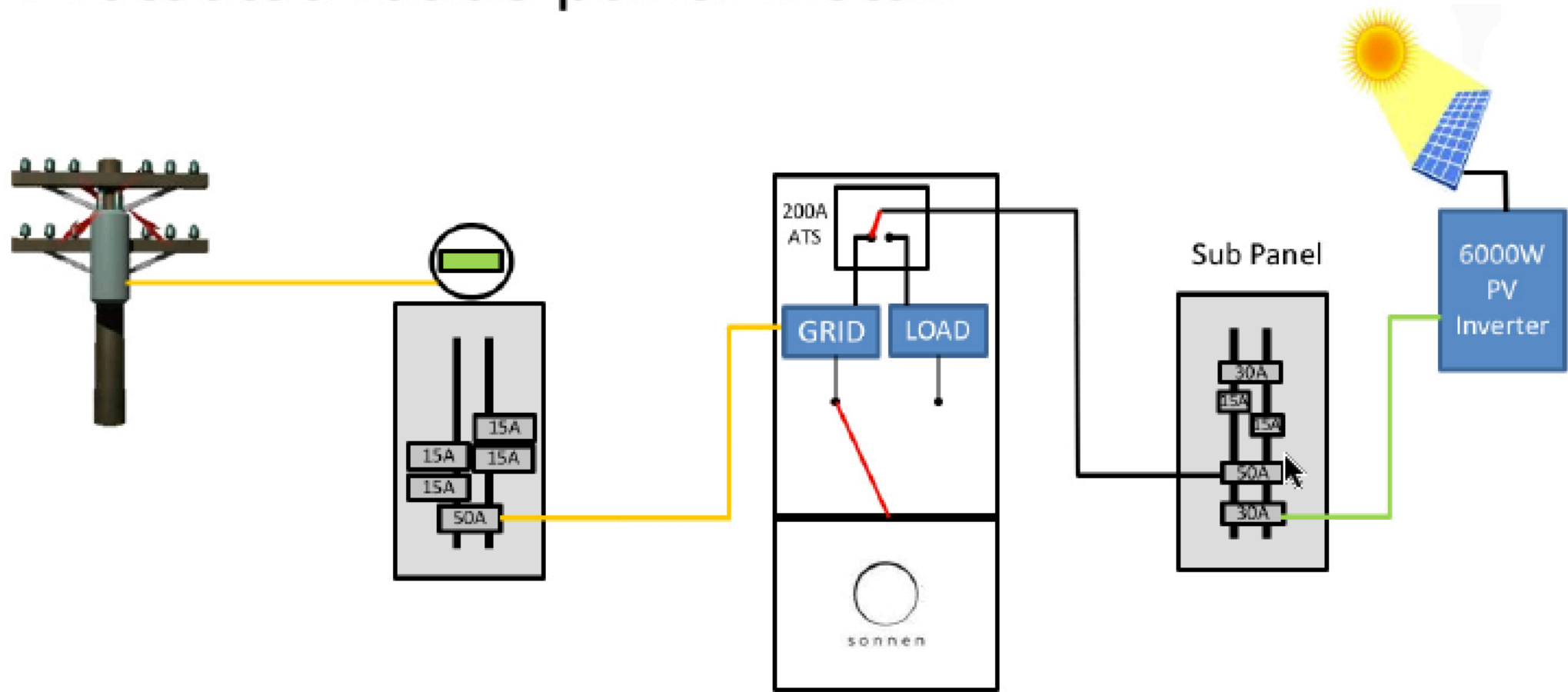
sonnen



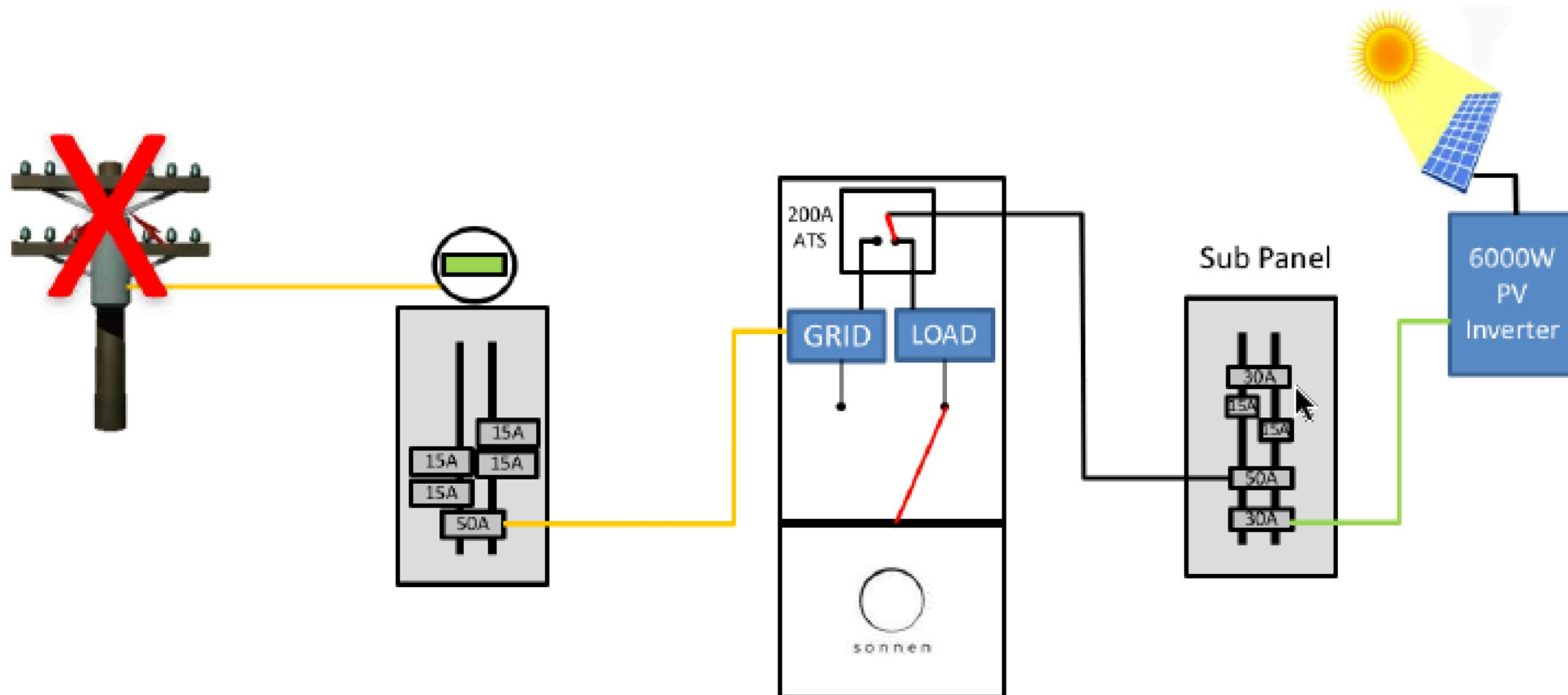
Storage



Protected loads panel install

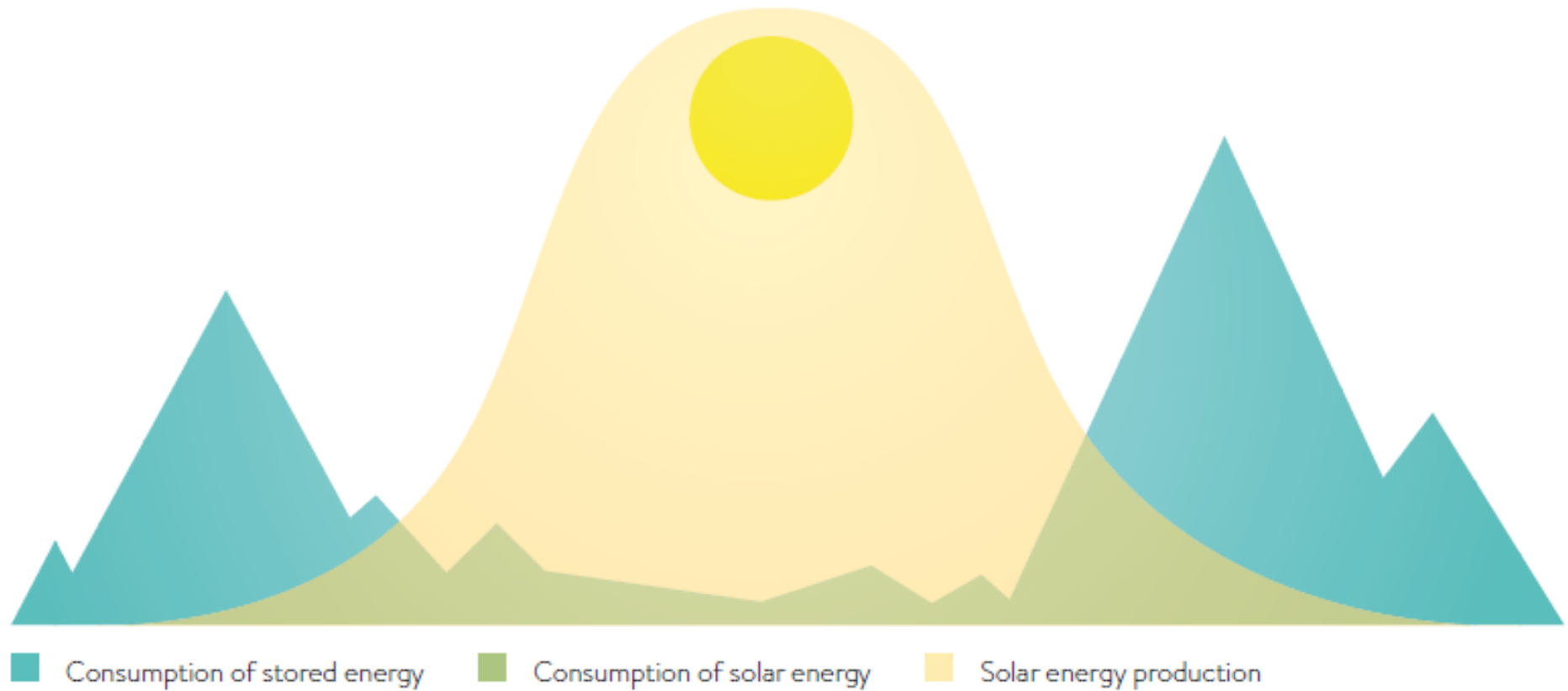


Grid goes down



Solar Energy When You Need

- Fix mismatch between solar supply and demand
- Moderate the intermittency of solar







Why storage?

- Protects you against power outages
- Energy Management System-Provides greater control over energy usage
- Optimizes your solar power system
- Peak Shaving
- Rate Arbitrage
- Utility Shared access
- Lower Peak Demand on Utility
- Provides reliable off-grid power
- Prepares you for natural disasters, develop resilience and safety

